

KONCEPT

tōnō

Enrich your space
with color

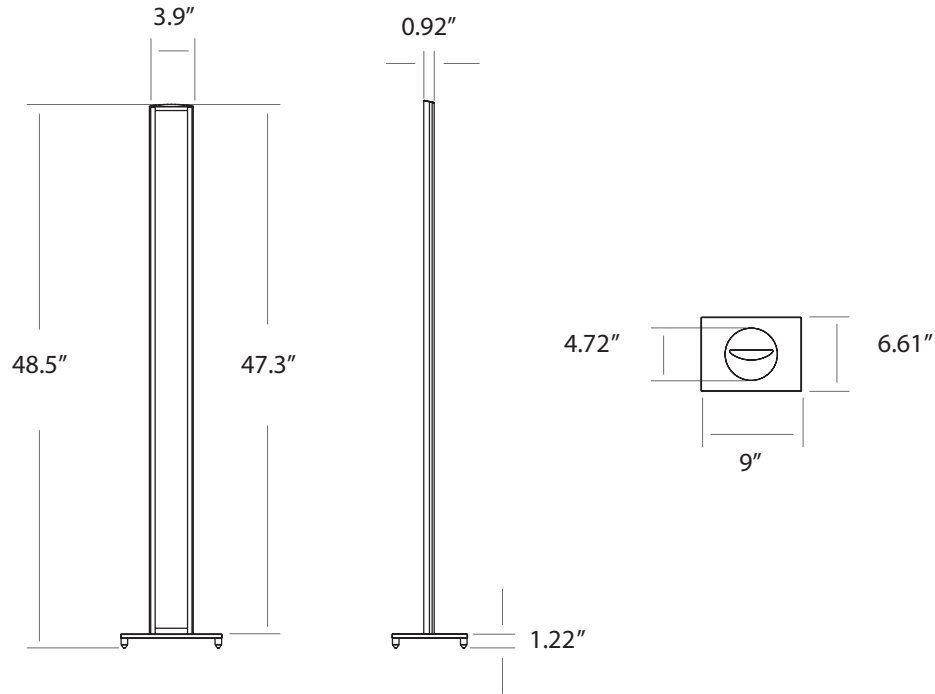
2013 Best of NeoCon GOLD
JDP's Good Design Award 2013

Designers
Peter Ng, Kenneth Ng & Edmund Ng

The ultimate mood light, Tono gently transitions through 1,500 different colors. A simple touch will hold your preferred color. Rotate the body towards the wall for a soft, ambient glow, or directly out into the room for a dramatic wash of color. Tono is for those who crave the non-traditional.

Lumens: 600
 Energy Consumption: 18 W
 Rated Lifespan: 50,000 hours
 Color Temperature: From 2,700 K to 8,000 K
 Brightness Adjustability: Continuous dimming (touchstrip)
 Material: Aluminum, plastic
 Safety Rating: C-UL-US Certified
 Warranty: 2 years
 Voltage: 100-240 V
 Standard Finish: White

MC1-WHT-FLR



Potential LEED Points

Integrative Process (Possible 2 points)

To support high-performance, cost-effective project outcomes through an early analysis of the interrelationships among systems.

Koncept's LED desktop and task lighting provides finer control over lighting levels in occupied spaces. With personal lighting in place, elimination or downsizing of building lighting systems is possible.

Interior Lighting (Possible 2 points)

To promote occupants' productivity, comfort and well-being by providing high-quality lighting.

All Koncept's task lighting products provide more than three lighting levels that are easily adjustable by occupants to suit their needs. Furthermore, all Koncept's task lighting products use high quality LED light sources with CRI over 80 and L70 rated lifespan over 50,000 hours. Desktop and task personal lighting also provides the opportunity to reduce overhead lighting.