

KONCEPT

The ultimate minimalist

LADY 7

Designed with a wispy-thin silhouette, Lady7 emits a beautifully diffused, linear light. This timeless piece is available as a desk lamp or floor lamp. Its body features a telescopic method of adjustability. The light color is tuneable from cool to warm. With her contemporary clean lines and ability to tune the brightness or color temperature, Lady7 is a gorgeous task light for any interior.



2014 Japan Good Design Award
2014 Gold Spark Award
2014 Interiors & Sources Readers' Choice Award
2015 iF Design Award

Designers
Kenneth Ng & Edmund Ng

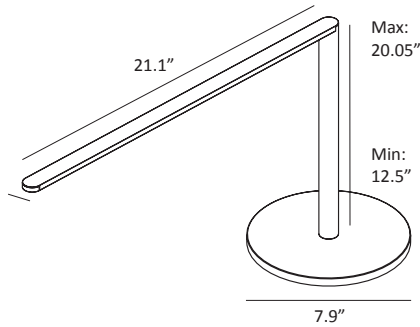


Lumens: 300
 Footcandles: 100
 Lux: 1080
 Energy Consumption: 6.5 W. 9 hour auto-shutoff timer.
 Rated Lifespan: 50,000 hours
 Color Temperature: Variable from 2,700 K to 4,000 K
 Color Rendering Index (CRI) : 83
 Brightness Adjustability: Continuous dimming (touchstrip)
 Material: Aluminum, plastic
 USB port: Built-in; 1A
 Safety Rating: C-UL-US Certified
 Warranty: 5 years
 Voltage: 120V
 Standard Finishes: Matte Red, Matte White, Metallic Black, Silver

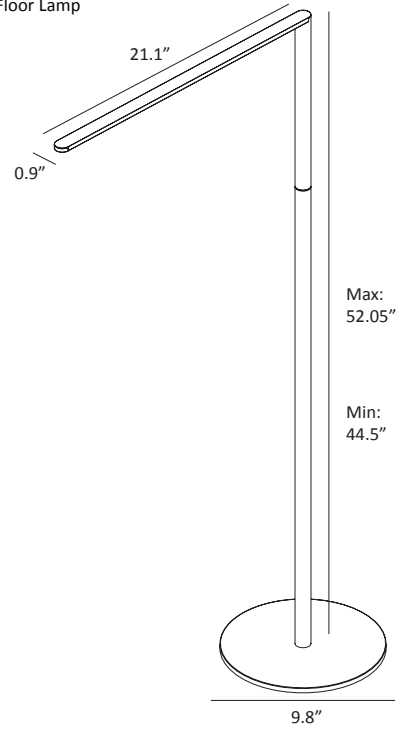
L7- - - -

MBK = Metallic Black
 SIL = Silver
 MRD = Matte Red
 MWT = Matte White
 DSK = Desk lamp
 FLR = Floor lamp

Lady7 Desk Lamp



Lady7 Floor Lamp



Potential LEED Points

Integrative Process (Possible 2 points)

To support high-performance, cost-effective project outcomes through an early analysis of the interrelationships among systems.

Koncept's LED desktop and task lighting provides finer control over lighting levels in occupied spaces. With personal lighting in place, elimination or downsizing of building lighting systems is possible.

Interior Lighting (Possible 2 points)

To promote occupants' productivity, comfort and well-being by providing high-quality lighting.

All Koncept's task lighting products provide more than three lighting levels that are easily adjustable by occupants to suit their needs. Furthermore, all Koncept's task lighting products use high quality LED light sources with CRI over 80 and L70 rated lifespan over 50,000 hours. Desktop and task personal lighting also provides the opportunity to reduce overhead lighting.

Photometrics: Light source placed 15" away from work surface

