



# Kata™ EX1-F

Single monitor arm



# KataEX1-F

Single monitor arm

esi



tension adjustment



integrated tool storage



grommet mount



desk clamp



connection sleeve

## Product specs

- Manual height adjustment
- Recommended for worksurfaces 30.0" deep or less
- 21.4" arm extension
- 5.6" arm retraction
- +90°/-45° monitor tilt
- ±90° VESA rotation
- Up to 20.0 lb. weight capacity
- 16.0" pole height (includes base)
- VESA 75mm/100mm quick release
- 180° lock-out feature
- Specify a grommet mount or a desk clamp mount
- Tension adjustment indicator for precision installation
- Each connection sleeve can accommodate up to three monitors depending on the configuration
- Partially assembled for quick installation
- Integrated cord management
- Integrated tool holder
- Meets or exceeds ANSI/BIFMA x5.5 guidelines
- Designed for ESI by Roger Webb Associates of London
- Warranty: 15 yr.

## Model #

- KATAEX1-DC-F-SLV
- KATAEX1-DC-F-BLK
- KATAEX1-DC-F-WHT
- KATAEX1-GM-F-SLV
- KATAEX1-GM-F-BLK
- KATAEX1-GM-F-WHT

## KataEX monitor arm key

- F - Fixed monitor arm
- M - Motion monitor arm
- S - Slider mount

## Available mounting options

- DC - Desk clamp
- GM - Grommet mount

## KataEX for every need

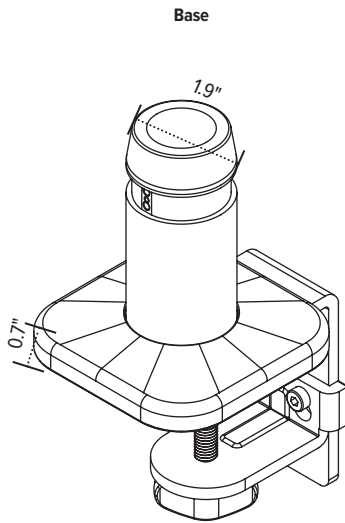
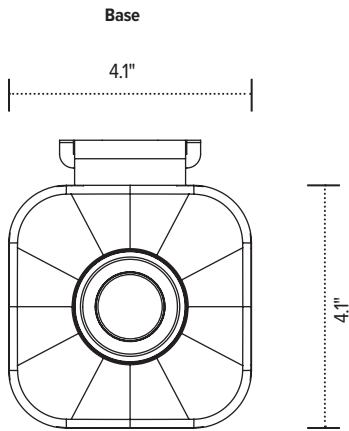
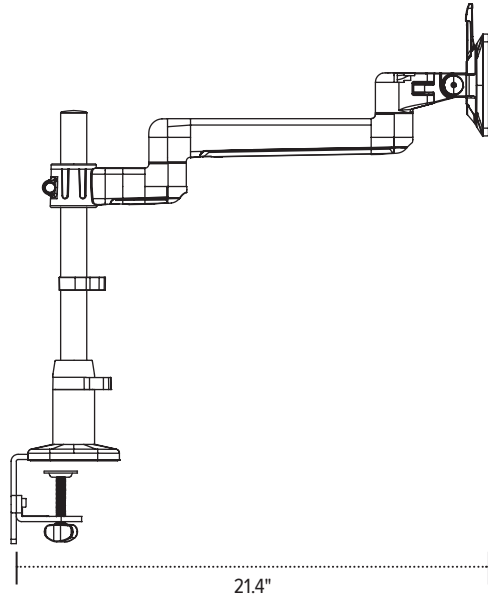
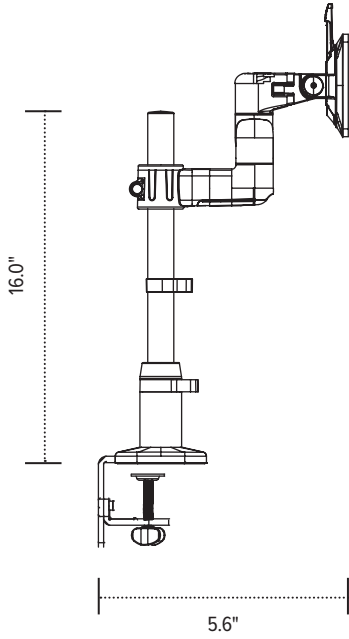
- As workstation needs change, so can the KataEX configurations. Additional components sold separately
- Benching system mount(s) available

Call our Customer Service Department for compatibility and pricing for custom configurations.

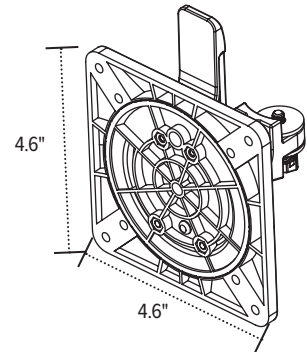
# KataEX1-F

Single monitor arm

esi



VESA plate



VESA mount  
Profile view

