



Kata™ EX conversion kit

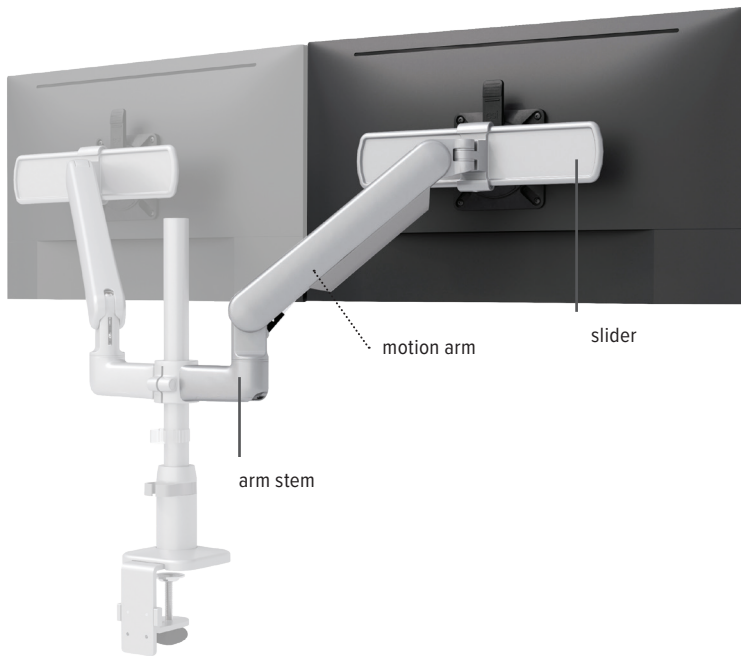
KataEX1-MS to KataEX2-FM monitor arm conversion kit

KataEX conversion kit



KataEX1-MS to KataEX2-FM monitor arm conversion kit

Kit includes:



Product specs

Converts an existing Edge single monitor arm to an Edge dual monitor arm

- Kit includes:
 - One slider arm
 - One motion arm
 - One arm stem
- Finger touch dynamic height adjustment
- Recommended for worksurfaces 30.0" deep or less
- 23.0" arm extension
- 6.6" arm retraction
- +90°/-45° monitor tilt
- ±90° VESA rotation
- 2.5 lb.–18.5 lb. weight capacity (*per arm*)
- 16.0" pole height (*includes base*)
- VESA 75mm/100mm quick release
- 180° lock-out feature
- Specify a grommet mount or a desk clamp mount
- Slider provide 9.5" of additional horizontal adjustability
- Tension adjustment indicator for precision installation
- Each connection sleeve can accommodate up to three monitors depending on the configuration
- Partially assembled for quick installation
- Integrated cord management
- Integrated tool holder
- Meets or exceeds ANSI/BIFMA x5.5 guidelines
- 32.0" max. monitor width
Bezel measured left to right.
Max. width is contingent on weight capacity.
- Designed for ESI by Roger Webb Associates of London
- Warranty: 15 yr.

Model

- KATAEXKIT-1MS2MS-SLV
- KATAEXKIT-1MS2MS-BLK
- KATAEXKIT-1MS2MS-WHT

KataEX monitor arm key

- F - Fixed monitor arm
- M - Motion monitor arm
- S - Slider mount

KataEX conversion kit



KataEX1-MS to KataEX2-FM monitor arm conversion kit

