

# Eppa Conversion Kit

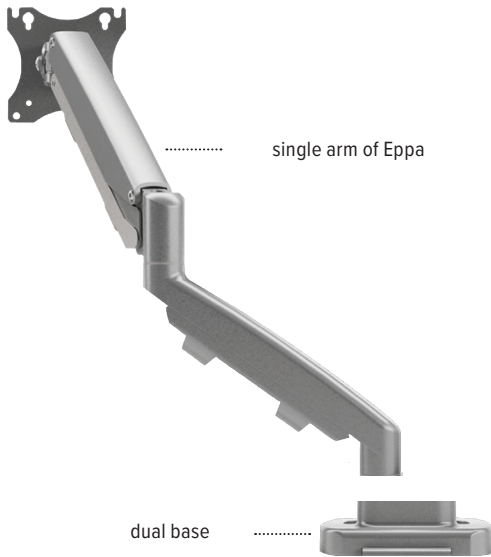
Eppa to Eppa2 monitor arm conversion kit

# Eppa Conversion Kit

Eppa to Eppa2 monitor arm conversion kit

esi

## Kit includes



## Product specs

Converts an existing Eppa single monitor arm to and Eppa2 dual arm

- Kit includes:
  - One single arm
  - One dual base
  - One clamp mount
  - One grommet mount
- Finger touch dynamic height adjustment
- 10.5" height adjustment range
  - 5.5"–16.0" (low/high)
- 20.0" arm extension
- 4.0" arm retraction
- +90°/-25° monitor tilt
- ±90° VESA rotation
- ±90° monitor swivel stop
- 2.2 lb.–17.6 lb. weight capacity (*per arm*)
- VESA 75mm/100mm quick mount
- Partially assembled for quick installation
- Integrated cord management
- Grommet hole integrated in base to easily route cables
- Clip-on tool holder attaches to base bracket keeping hex keys accessible
- Warranty: 10 yr.

## Model #

○ EPPA2KIT-SLV

# Eppa Conversion Kit



Eppa to Eppa2 monitor arm conversion kit

