

# Edge<sup>®</sup> Conversion kit

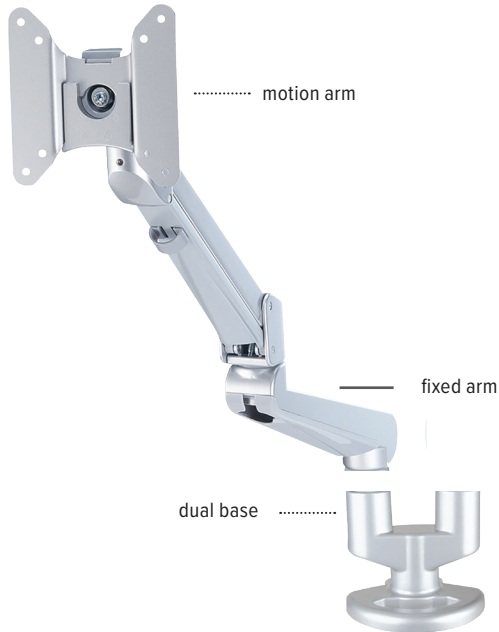
Edge to Edge2 monitor arm conversion kit

# Edge Conversion Kit

Edge to Edge2 monitor arm conversion kit

esi

## Kit includes:



grommet mount



clamp mount

## Product specs

Converts an existing Edge single monitor arm to an Edge dual monitor arm

- Kit includes:
  - One fixed arm
  - One motion arm
  - One dual base
  - One clamp mount
  - One grommet mount
- Finger touch dynamic height adjustment
- Recommended for worksurfaces 36.0" deep or less
- 12.0" height adjustment range
  - 7.0"–19.0" (low/high)
- 23.5" arm extension
- 4.1" arm retraction
- $\pm 90^\circ$  monitor tilt
- $\pm 90^\circ$  VESA rotation
- 6.5 lb.–17.6 lb. weight capacity (*per arm*)
- VESA 75mm/100mm quick release
- 180° lock-out feature
- Desk clamp and grommet mount included
- 32.0" max. monitor width  
*Bezel measured left to right.*  
*Max. width is contingent on weight capacity.*
- Exceeds BIFMA x5.5 requirements
- Benching system mount(s) available.  
Call the Customer Service Dept for details
- Warranty: 15 yr.



## Model #

- EDGE2KIT-SLV
- EDGE2KIT-BLK
- EDGE2KIT-WHT

# Edge Conversion Kit



Edge to Edge2 monitor arm conversion kit

