



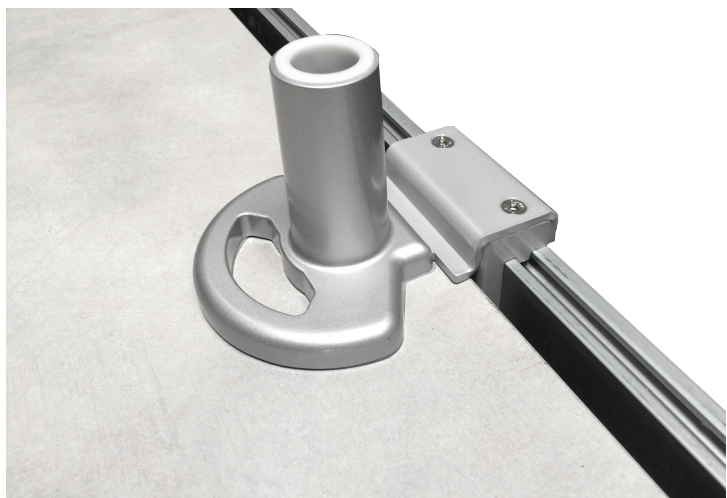
Steelcase® C:SCAPE Benching Mount

Monitor arm mount for use with Steelcase® C:SCAPE table

Steelcase® C:SCAPE Benching Mount



Monitor arm mount for use with Steelcase® C:SCAPE table



Product specs

- Designed to combine ESI monitor arms with the Steelcase C:SCAPE benching table
- Compatible ESI monitor arms:
 - Evolve monitor arms: single, dual and triple configurations
 - Edge® and Edge®2
 - Kata™EX monitor arms: single, dual and triple configurations
- Holds up to three monitors
 - 15.4 lb. per slider mount arm
 - 17.6 lb. per VESA mount
- Fits easily on standard Edge®/Evolve/Kata™EX product nesting on base
- Pole sold separately
- Warranty: 15 yr.



Model

- E-CMT-SLV

Benching mounts are not compatible with all benching systems. Monitor arms are not included with specialty benching mounts. Call our Customer Service Department for compatibility details. All trademarks are property of their respective owners.

Steelcase® C:SCAPE Benching Mount



Monitor arm mount for use with Steelcase® C:SCAPE table

